

16" x 16" Retrofit to 12" x 12" Square Anti-Entrapment Suction Outlet Cover and Retro-Adapter Frame

VGB Series

The AquaStar line of suction outlet covers, compliant with the new Virginia Graeme-Baker Pool and Spa Safety Act (ASME/ANSI A112.19.8a-2008)

Features

For single or multiple drain use (see installation instructions)

Single:

Floor/wall 474 GPM at 1.5 fps

101 square inch opening

Frame fits into existing 12" frame* with either epoxy or screws or both and cover anchors into in-molded brass inserts in frame with four fine thread machine screws

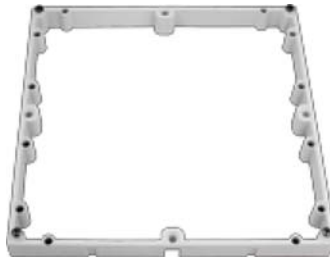
Lime green colored "swimming man" plug easily identifies VGB 2008 compliant cover from on deck and underwater

#316 stainless steel screws

Manufactured from superior UV-resistant engineered polymers

Easily and safely retrofits to most brand's existing frames* (see cross-reference chart and installation instructions for details and special requirements)

All components (cover, frame, screws) meet or exceed NSF 50/ASME/ANSI A112.19.8-2008a national standards and ASTM G154 UV testing exposure 8 per case



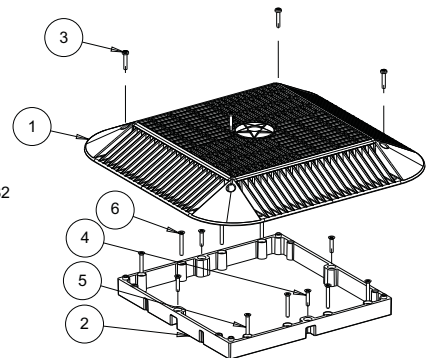
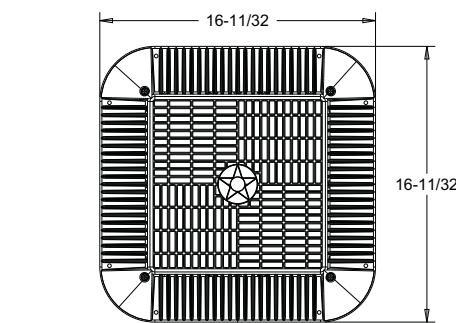
Model # R1216xxx

*Fits: Hayward, Waterway, American (Pentair #2 selling), PacFab with 1" existing frames and eight screw hole pattern

Part Numbers / Colors

- R1216101 White
- R1216102 Black
- R1216103 Lt. Gray
- R1216104 Blue
- R1216105 Dk. Gray
- R1216106 Bone
- R1216107 Taupe
- R1216108 Tan

**VGB 2008
Compliant**



1. 16" x 16" drain cover
2. 12" to 16" universal frame converter
3. 10-32 x 1" pan head phillips screw, ss
4. #10 x 1" flat head phillips screw, ss
5. 10-24 x 1 1/4" flat head phillips screw, ss
6. #10 x 1 1/2" flat head phillips screw, ss