

# 16" x 16" Retrofit to 12" x 12" Square Anti-Entrapment Suction Outlet Cover, Frame and Retro-Adapter Frame

## VGB Series

The AquaStar line of suction outlet covers, compliant with the new Virginia Graeme-Baker Pool and Spa Safety Act (ASME/ANSI A112.19.8a-2008)

### Features

For single or multiple drain use (see installation instructions)

Single:

Floor/wall 474 GPM at 1.5 fps

101 square inch opening

Frame fits into existing 12" frame\* with either epoxy or screws or both and cover anchors into in-molded brass inserts in frame with four fine thread machine screws

Lime green colored "swimming man" plug easily identifies VGB 2008 compliant cover from on deck and underwater

#316 stainless steel screws

Manufactured from superior UV-resistant engineered polymers

Easily and safely retrofits to most brand's existing frames\* (see cross-reference chart and installation instructions for details and special requirements)

All components (cover, frame, screws) meet or exceed NSF 50/ASME/ANSI A112.19.8-2008a national standards and ASTM G154 UV testing exposure 8 per case



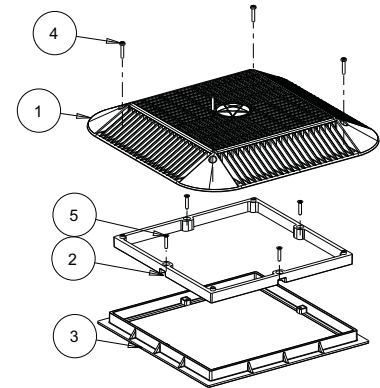
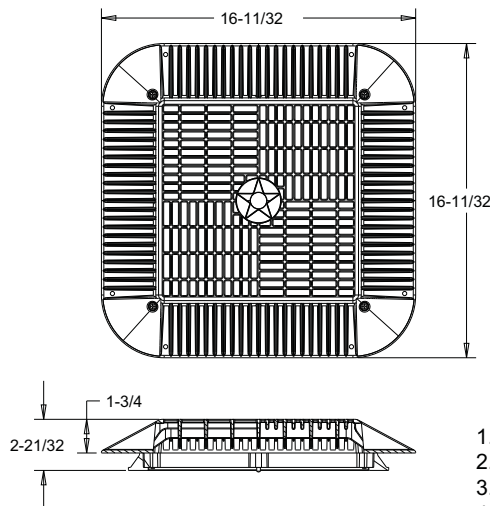
Model # 1216xxx

\*Fits: AquaStar (p/n 12xxx, pre-VGB "flat"); Pentair (#1 selling) with 3/4" deep existing frames and four screw hole pattern

### Part Numbers / Colors

- 1216101 White
- 1216102 Black
- 1216103 Lt. Gray
- 1216104 Blue
- 1216105 Dk. Gray
- 1216106 Bone
- 1216107 Taupe
- 1216108 Tan

VGB 2008  
Compliant



1. 16" x 16" drain cover
2. 12" to 16" a.q. conversion frame
3. 12"x12" flat square drain frame
4. 10-32 x 1" pan head phillips screw, ss
5. #10 x 1" flat head phillips screw, ss