

# 8" Low Profile Anti-Entrapment Suction Outlet Cover and Frame

## VGB Series

### Product Specification Sheet

The AquaStar line of suction outlet covers compliant with the new Virginia Graeme-Baker Pool and Spa Safety Act (ASME/ANSI A112.19.8-2007)

#### Features

For Single or Multiple Drain Use  
(See Installation Instructions)

##### Single:

Floor: 100 GPM at 4.2 fps / Wall: 70 GPM at 2.9 fps

##### Dual:

Floor: 100 GPM at 2.1 fps / Wall: 70 GPM at 1.5 fps

##### Triple System:

Floor: 200 GPM at 2.8 fps / Wall: 140 GPM at 1.9 fps  
Floor: 108 GPM at 1.5 fps

7.7 sq. in. Opening

#316 Stainless Steel Screws

Super Strong UV Resistant ABS/ASA Material

Easily and Safely Retro-Fits to Most Brand's Existing Frames and Sumps That Model # RLP8AVxxx Does Not Already Fit\*  
(See Cross-Reference Chart and Installation Instructions for Details)

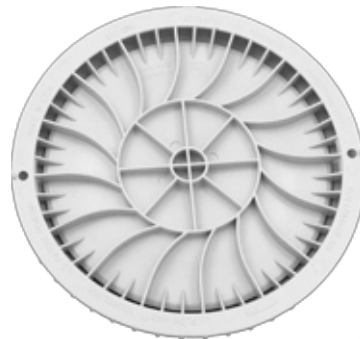
Patent Pending Flow-Max<sup>®</sup> Technology

Super Low-Profile Eliminates Cleaner Hang-Ups

Meets or Exceeds ASME/ANSI A112.19.8-2007 National Standards and ASTM G154 UV Testing

Listed with IAPMO R&T

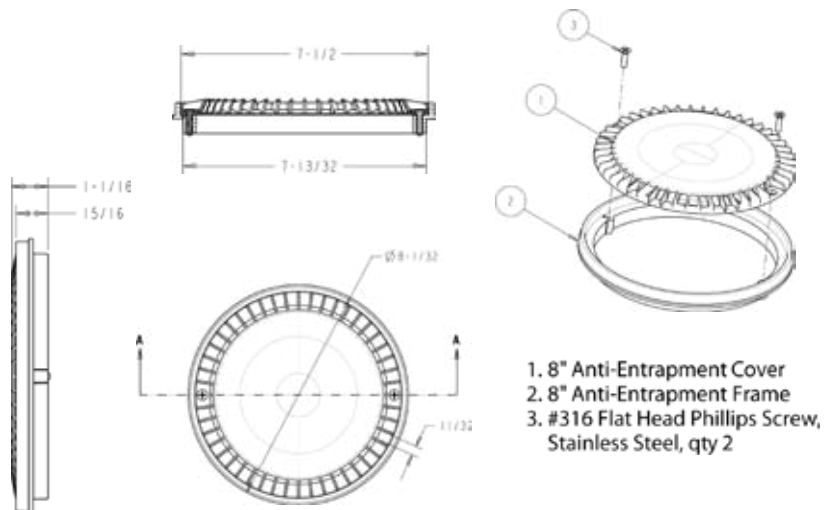
50 Per Case



\*Fits: AquaStar (All Pre-VGB 8" Models), American, Pentair, Color Match, Waterway, and most Custom Molded (CMP)

## Part Numbers / Colors

- LP8AVVGB101 White
- LP8AVVGB102 Black
- LP8AVVGB103 Lt. Gray
- LP8AVVGB104 Blue
- LP8AVVGB105 Dk. Gray
- LP8AVVGB106 Bone
- LP8AVVGB107 Taupe
- LP8AVVGB108 Tan



1. 8" Anti-Entrapment Cover
2. 8" Anti-Entrapment Frame
3. #316 Flat Head Phillips Screw, Stainless Steel, qty 2