

6" Round Hockey Puck Sumpless Suction Outlet

VGB Series

The AquaStar line of suction outlet covers, compliant with the new Virginia Graeme-Baker Pool and Spa Safety Act (ASME/ANSI A112.19.8a-2008)

Features

For single or multiple drain use in gunite, steel, vinyl, fiberglass and tile pools and spas (see installation instructions)

Single

Floor/wall: 224 GPM at 6.3 fps

Floor/wall: 53.6 GPM at 1.5 fps

11.4 square inch opening

No sump required

Trademarked VGB compliance button easily identifies VGB 2008 compliant cover from on deck and underwater

#316 stainless steel screws

Manufactured from superior UV-resistant engineered polymers

All components meet or exceed NSF 50/ASME/ANSI A112.19.8a-2008 national standards and ASTM G154 UV testing exposure

Easily and safely retrofits to HydroAir/ITT

Listed with IAMPO R&T

See page 79 for eight different base plates that are sold separately, available for sumpless connections to 1022's, 1.5" female adapters, 1.5" and 2" inside and outside slip and threads as well as existing HydroAir wall fittings #10-6015S and 10-6304S (both with brass inserts)

25 per case

NEW

Ideal for fiberglass and all sumpless configurations.



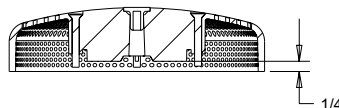
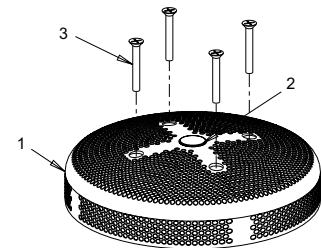
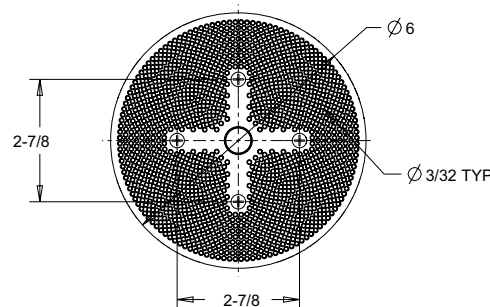
Part # 6HPxxx

Retrofits to StaRite/Pentair #8011 and AquaStar #4RNDxxx equalizer.

Part Numbers / Colors

- 6HP101 White
- 6HP102 Black
- 6HP103 Lt. Gray
- 6HP104 Blue
- 6HP105 Dk. Gray
- 6HP106 Bone
- 6HP107 Taupe
- 6HP108 Tan

VGB 2008 Compliant



1. 6" round suction outlet cover
2. VGB 2008 "color code" swimming man
3. #8-32 x 1.25" flat head phillips screw, 316 ss, qty 4